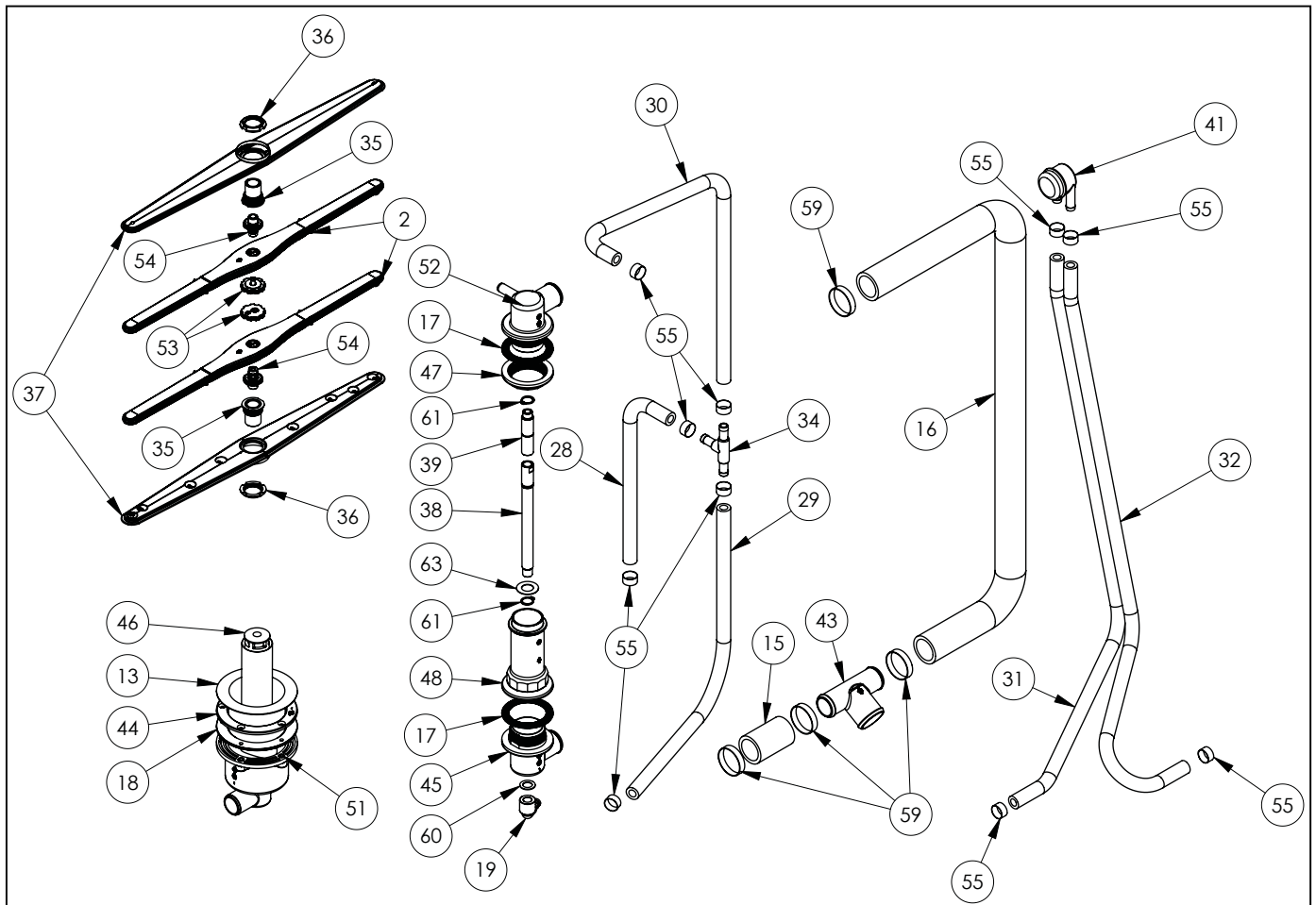
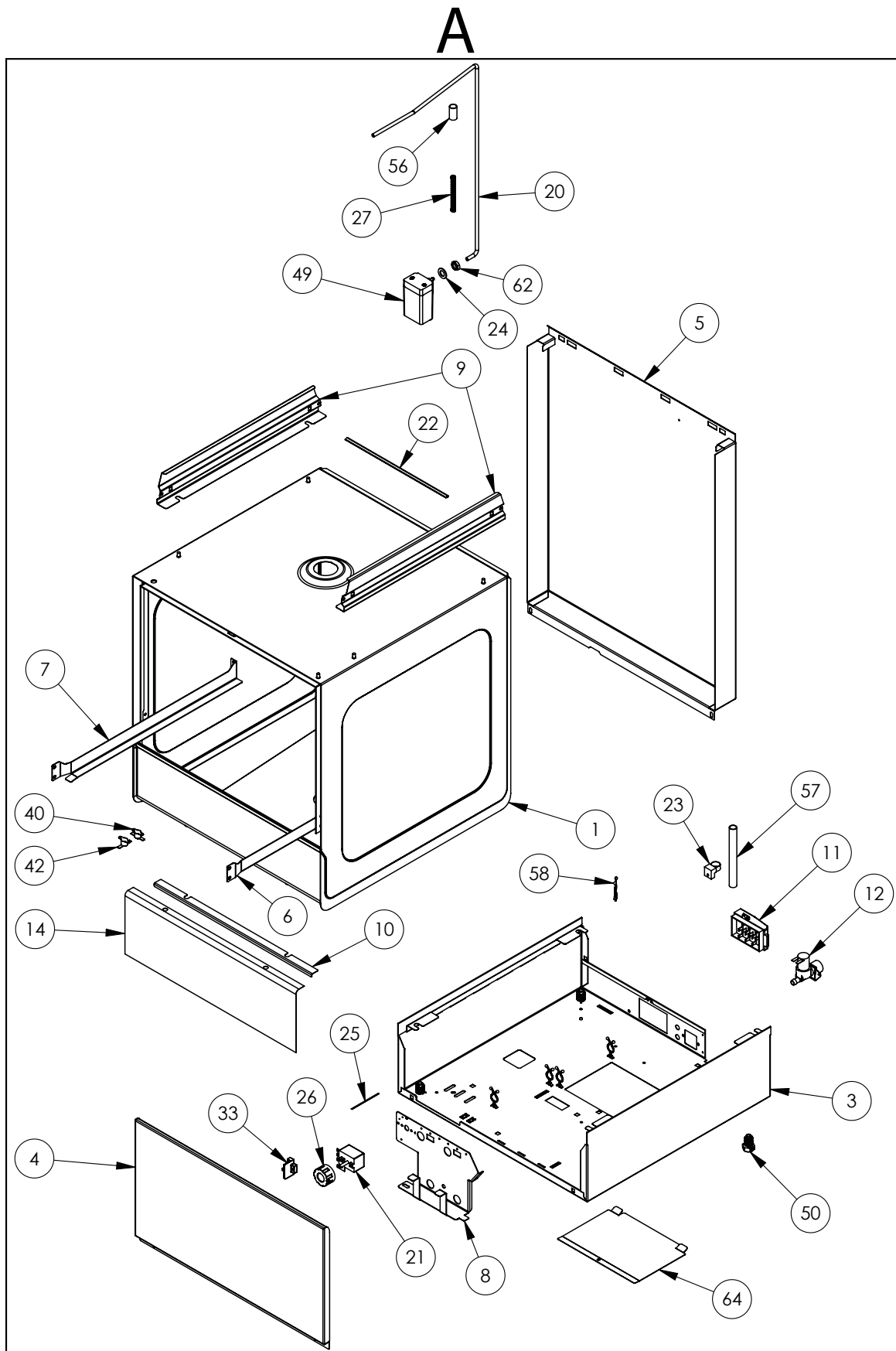
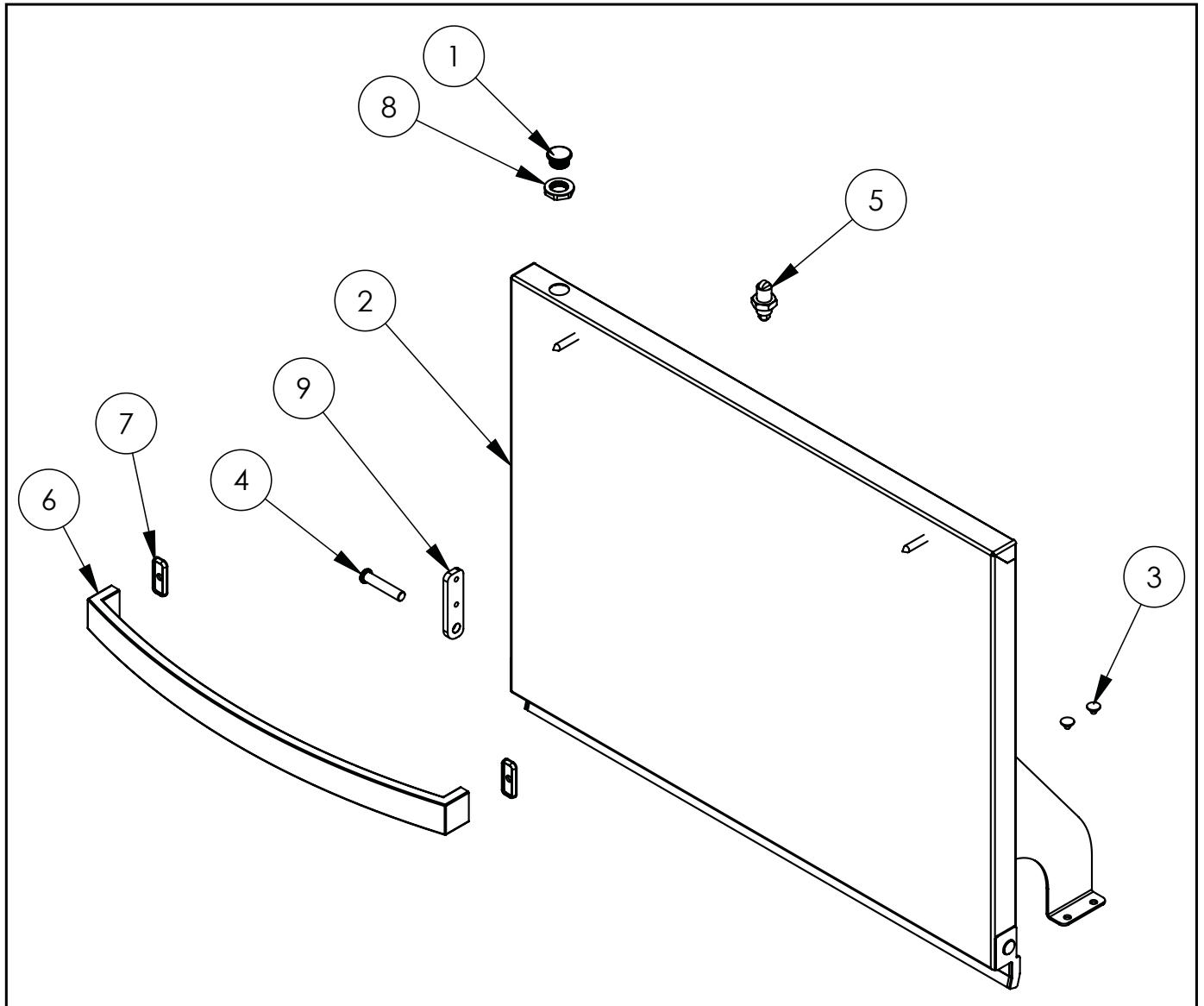
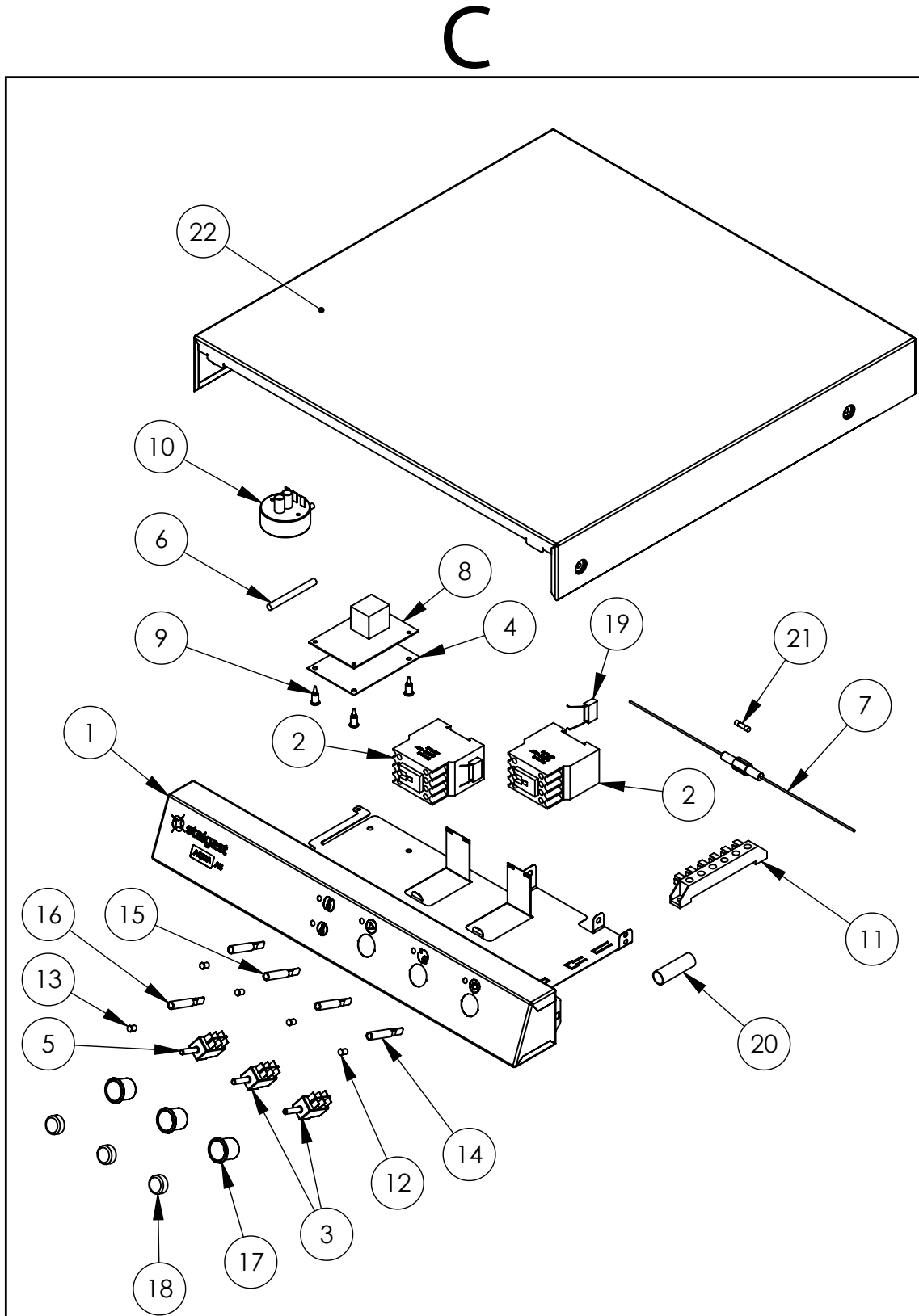


**universal dishwasher 400V/230V with washing liquid dispenser and drain pump**
**Catalog code: 801507**
**A**


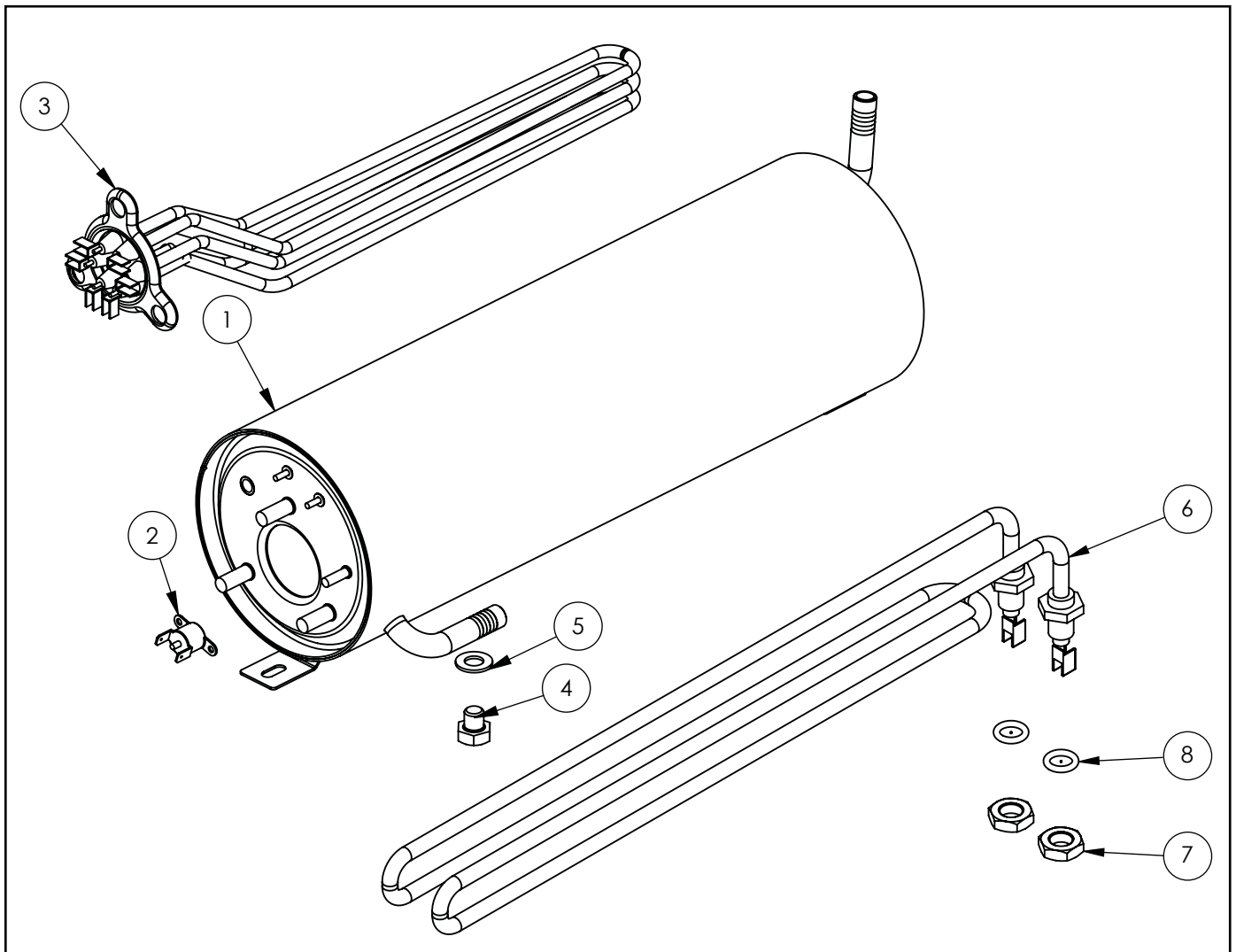


# B

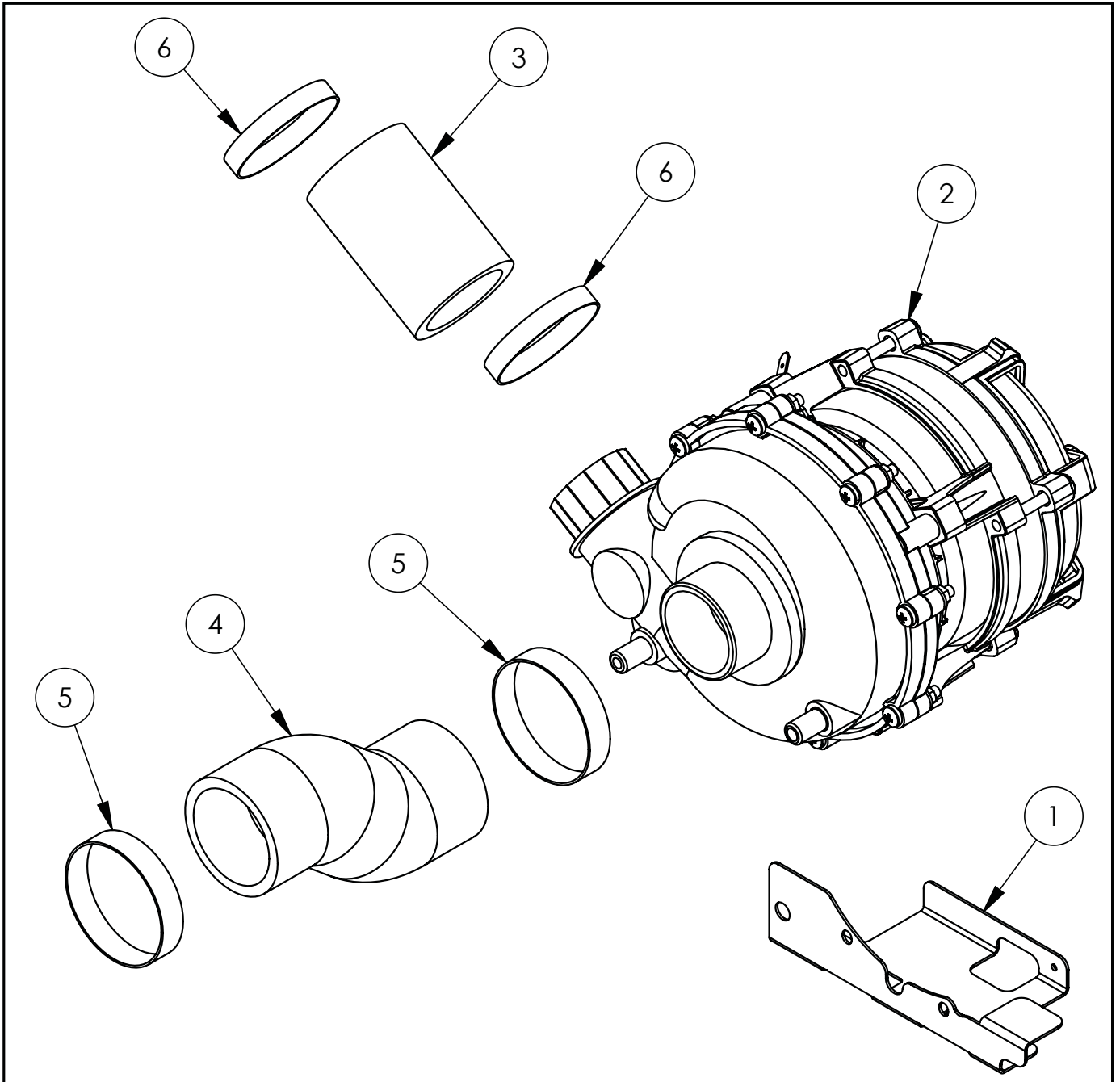




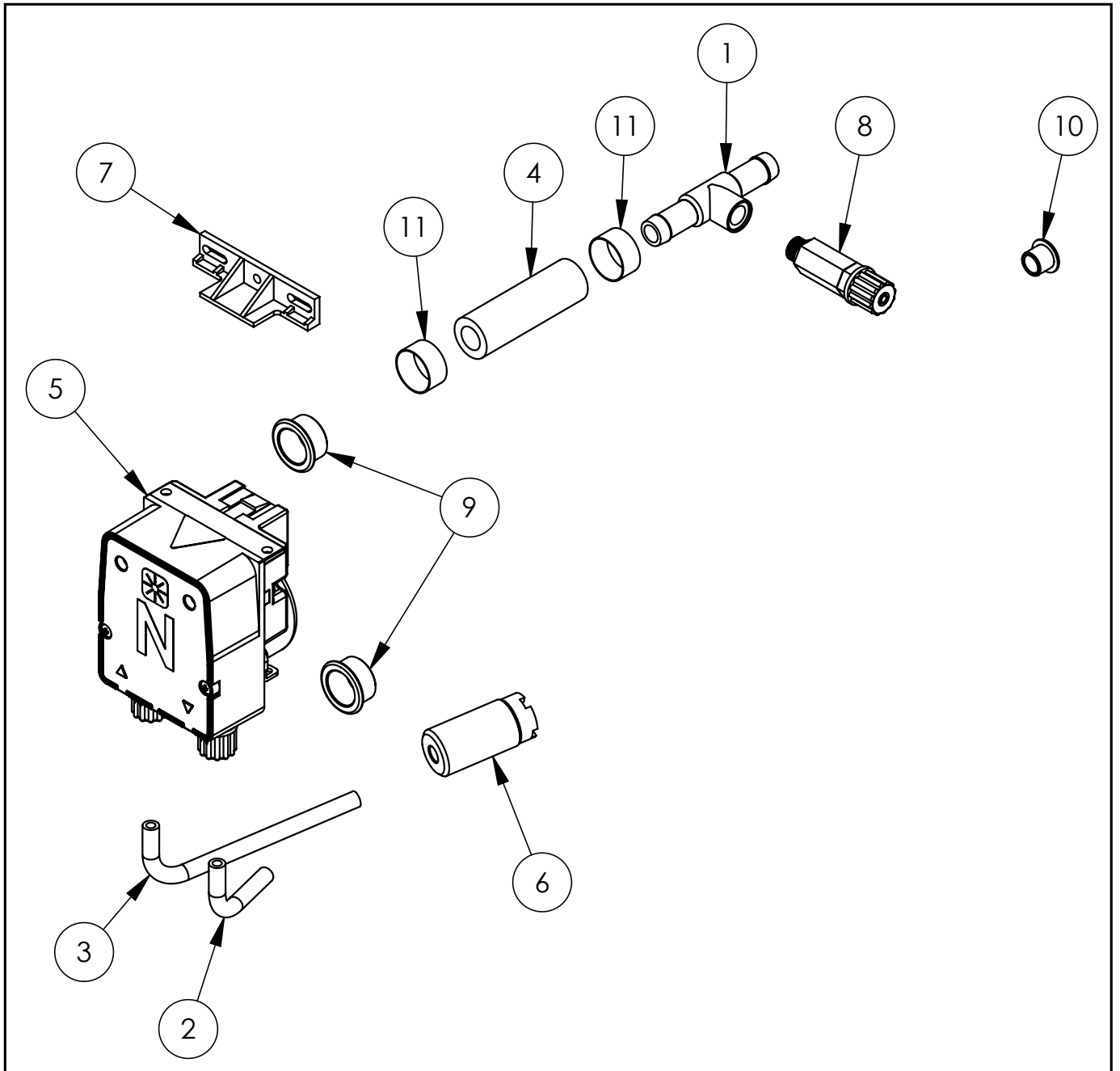
# D



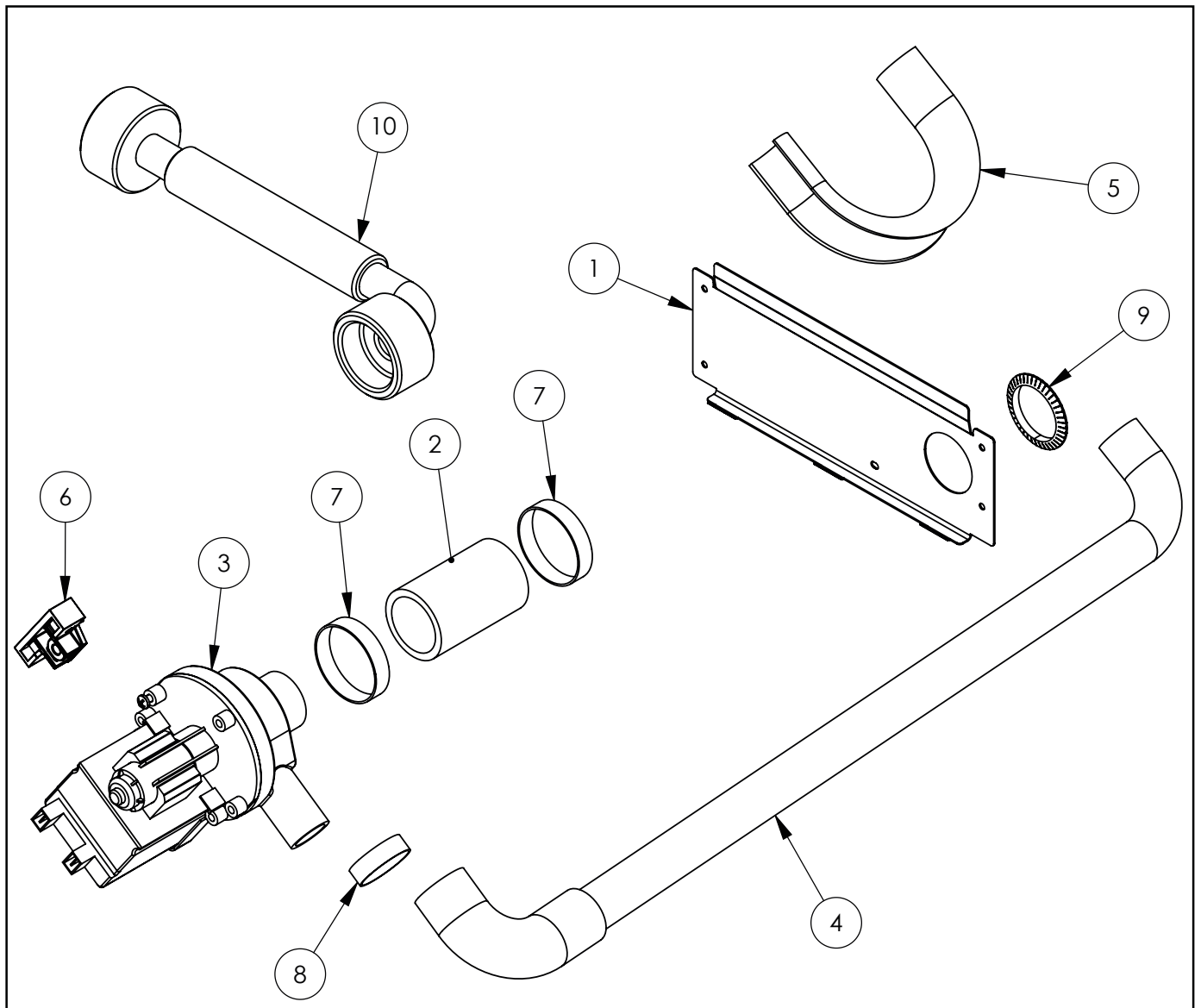
# E



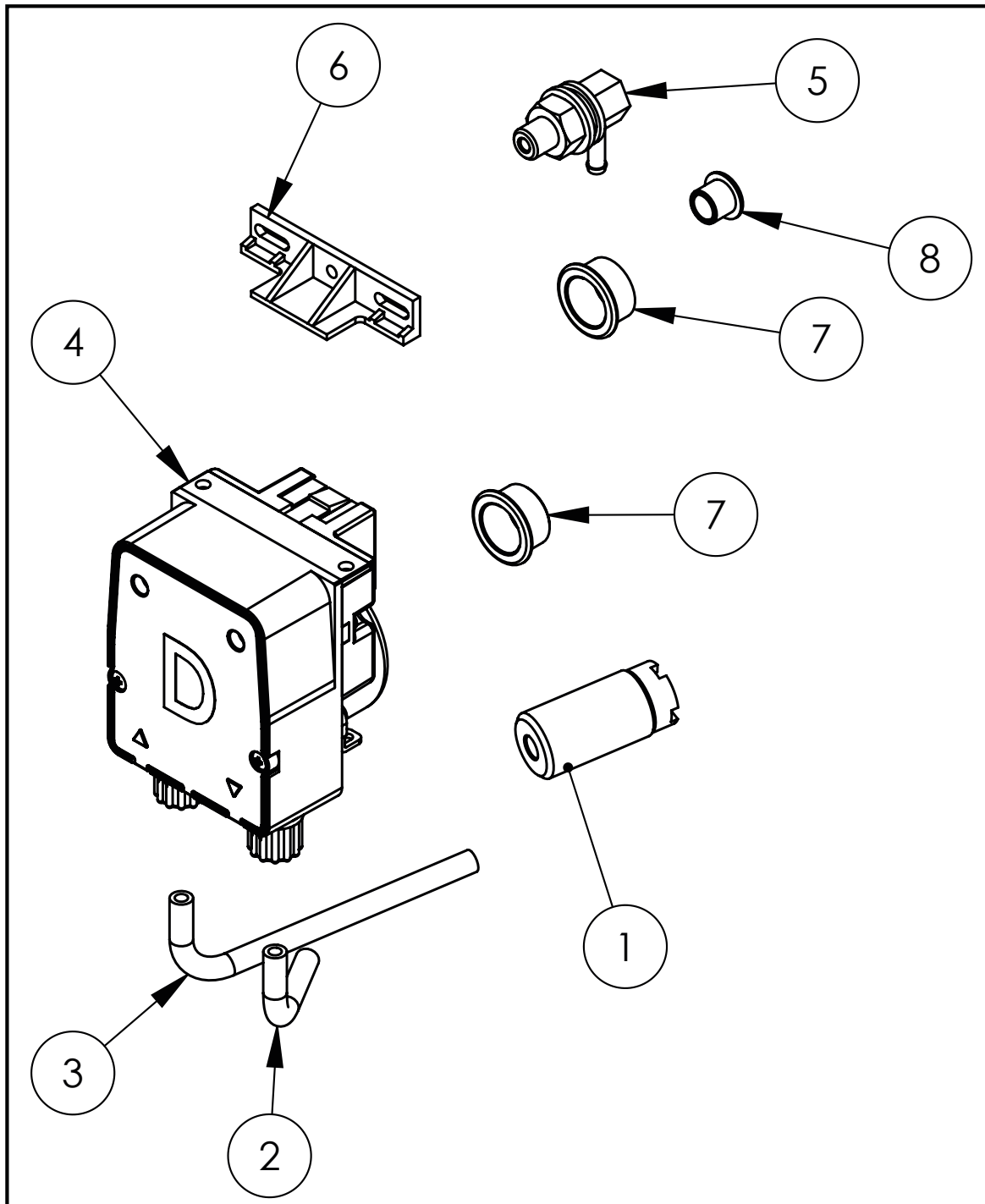
# F



# G



# H



<b>Part No.</b> <b>(V drawing no. part no. from drawing)</b>	<b>Name</b>	<b>Code</b>
V801507V06-A.01	Dishwasher compartment	
V801507V06-A.02	Rinsing arm	C012369
V801507V06-A.03	Base	
V801507V06-A.04	Bottom panel	
V801507V06-A.05	Back panel	
V801507V06-A.06	Right-hand slide	
V801507V06-A.07	Guide bar left	
V801507V06-A.08	Pump bracket	
V801507V06-A.09	Cap and panel mount	
V801507V06-A.10	Angle bracket	
V801507V06-A.11	Terminal box KADO K1/6	C009003
V801507V06-A.12	Electro-valve	C003422
V801507V06-A.13	Water drain filter	C003742
V801507V06-A.14	Splash guard	C012373
V801507V06-A.15	Straight rubber hose	C013072
V801507V06-A.16	Shaped rubber hose	C013074
V801507V06-A.17	Connection seal	C012274
V801507V06-A.18	Drain seal	C012944
V801507V06-A.19	Elbow	C012391
V801507V06-A.20	Silicone hose	C012680
V801507V06-A.21	Control thermostat	
V801507V06-A.22	Edge cover	C013572
V801507V06-A.23	Clamp	C012765
V801507V06-A.24	Flat gasket	C012766
V801507V06-A.25	Guide	C012767
V801507V06-A.26	Knob	C013624
V801507V06-A.27	Spring	C012768
V801507V06-A.28	Rubber hose fi 12 L=350mm	C008625
V801507V06-A.29	Rubber hose fi 12 L=555mm	C008625
V801507V06-A.30	Rubber hose fi 12 L=670mm	C008625
V801507V06-A.31	Rubber hose fi 12 L=950mm	C008625
V801507V06-A.32	Rubber hose fi 12 L=1000mm	C008625
V801507V06-A.33	Connection cube	C012380
V801507V06-A.34	T-piece	C012384
V801507V06-A.35	Sliding sleeve	C012378
V801507V06-A.36	Sliding sleeve nut	C012377
V801507V06-A.37	Washing arm 50	C012332

<b>Part No.</b> <b>(V drawing no. part no. from drawing)</b>	<b>Name</b>	<b>Code</b>
V801507V06-A.38	Rotor axis lower	C012374
V801507V06-A.39	Rotor axis upper	C012383
V801507V06-A.40	Safety thermostat 95stC	C009331
V801507V06-A.41	Non-return valve	C012787
V801507V06-A.42	Chamber thermostat	C012334
V801507V06-A.43	32/40 water tee	C012358
V801507V06-A.44	Gasket pressure	C012359
V801507V06-A.45	Supply body down	C012360
V801507V06-A.46	Drain plug L=163	C012361
V801507V06-A.47	Nut M48	C012362
V801507V06-A.48	Bottom arm bracket 50	C012363
V801507V06-A.49	Pressure switch cup 90	C012364
V801507V06-A.50	Foot	C012365
V801507V06-A.51	Water outlet body	C012366
V801507V06-A.52	Water outlet body with G1/4 threaded insert	C012367
V801507V06-A.53	Knob	C008924
V801507V06-A.54	Stem	C012409
V801507V06-A.55	Clamp	C010086
V801507V06-A.56	Crossover strap L=30mm	
V801507V06-A.57	Crossover strap L=150mm	
V801507V06-A.58	Twisted band	
V801507V06-A.59	Clamp 25-40	C007383
V801507V06-A.60	Fibre gasket	
V801507V06-A.61	Outer ring 16x1 stainless steel	C012609
V801507V06-A.62	Hex nut	
V801507V06-A.63	Washer	
V801507V06-A.64	Service cap	
V801507V06-B.01	Neodymium magnet	C010789
V801507V06-B.02	Door body	
V801507V06-B.03	Push-on bumper	C009226
V801507V06-B.04	Hinge pin	C010417
V801507V06-B.05	Lock	C000053
V801507V06-B.06	Door handle	C010174
V801507V06-B.07	Handle washer	C012666
V801507V06-B.08	Polyamide nut	C010797
V801507V06-B.09	Hinge plate	
V801507V06-C.01	Right slanted control panel S50	

<b>Part No.</b> <b>(V drawing no. part no. from drawing)</b>	<b>Name</b>	<b>Code</b>
V801507V06-C.02	Contactora	C008045
V801507V06-C.03	Switch 3 pos.	C008291
V801507V06-C.04	Plate insulation	C010406
V801507V06-C.05	2-pos. switch	C003433
V801507V06-C.06	Electronics board wires	C010419
V801507V06-C.07	Fuse holder	C012764
V801507V06-C.08	Control board	C012328
V801507V06-C.09	Spacer foot	C010405
V801507V06-C.10	Pressure switch	C012333
V801507V06-C.11	Junction block	C012379
V801507V06-C.12	Green lens	C008937
V801507V06-C.13	Blue lens	C008942
V801507V06-C.14	Program light green	C008938
V801507V06-C.15	Program indicator blue	C008943
V801507V06-C.16	Temperature lamp blue	C008944
V801507V06-C.17	Round holder	
V801507V06-C.18	Round button	C010420
V801507V06-C.19	Paper capacitor	C013519
V801507V06-C.20	Crossover tape	
V801507V06-C.21	Fuse	C013278
V801507V06-C.22	Cap slant panel S50	
V801507V06-D.01	Boiler	
V801507V06-D.02	Safety thermostat	C010847
V801507V06-D.03	Heater	C010235
V801507V06-D.04	Hex. bolt. M10 x 10	
V801507V06-D.05	Fibre washer fil0	C013473
V801507V06-D.06	Chamber heater	C012799
V801507V06-D.07	Hex nut	C013929
V801507V06-D.08	O-ring	C013930
V801507V06-E.01	Main pump bracket	
V801507V06-E.02	Main pump	C011213
V801507V06-E.03	Straight rubber hose	C013073
V801507V06-E.04	Shaped rubber hose	C012726
V801507V06-E.05	Clamp	C010085
V801507V06-E.06	Clamp 32-50	C010422
V801507V06-F.01	Water tee - rinse aid dispenser	C008931
V801507V06-F.02	Transparent blue rubber hose L=400mm	C007384

<b>Part No. (V drawing no. part no. from drawing)</b>	<b>Name</b>	<b>Code</b>
V801507V06-F.03	Transparent blue rubber hose L=2000mm	C007384
V801507V06-F.04	Rubber hose L=60mm	C008625
V801507V06-F.05	Peristaltic pump for rinse aid	C012106
V801507V06-F.06	Weight with filter	C012107
V801507V06-F.07	Pump mounting	C012108
V801507V06-F.08	Rinse aid injector	C012109
V801507V06-F.09	Pipeline fi16	C010689
V801507V06-F.10	Relay terminal fi8	C010767
V801507V06-F.11	Clamp	C010086
V801507V06-G.01	Bottom cover	
V801507V06-G.02	Straight EPDM rubber hose fi30x4 L=60mm	C013075
V801507V06-G.03	Dump pump	C012355
V801507V06-G.04	Drain hose 19x24mm L=1500mm	C012353
V801507V06-G.05	Drain hose hanger 19x24mm	C012372
V801507V06-G.06	Dump pump holder	C010426
V801507V06-G.07	Clamp 25-40	C007383
V801507V06-G.08	Clamp 16-27	C010425
V801507V06-G.09	Edge guard L=100mm	
V801507V06-G.10	Supply hose	C012375
V801507V06-H.01	Filter weight	C012107
V801507V06-H.02	Detergent tube L=850mm	c010400
V801507V06-H.03	Detergent tube L=2000mm	c010400
V801507V06-H.04	Detergent peristaltic pump	
V801507V06-H.05	Detergent injector	C012376
V801507V06-H.06	Pump fixing	C012108
V801507V06-H.07	Cable grommet plastic fi16	C010689
V801507V06-H.08	Cable grommet plastic fi8	C010767